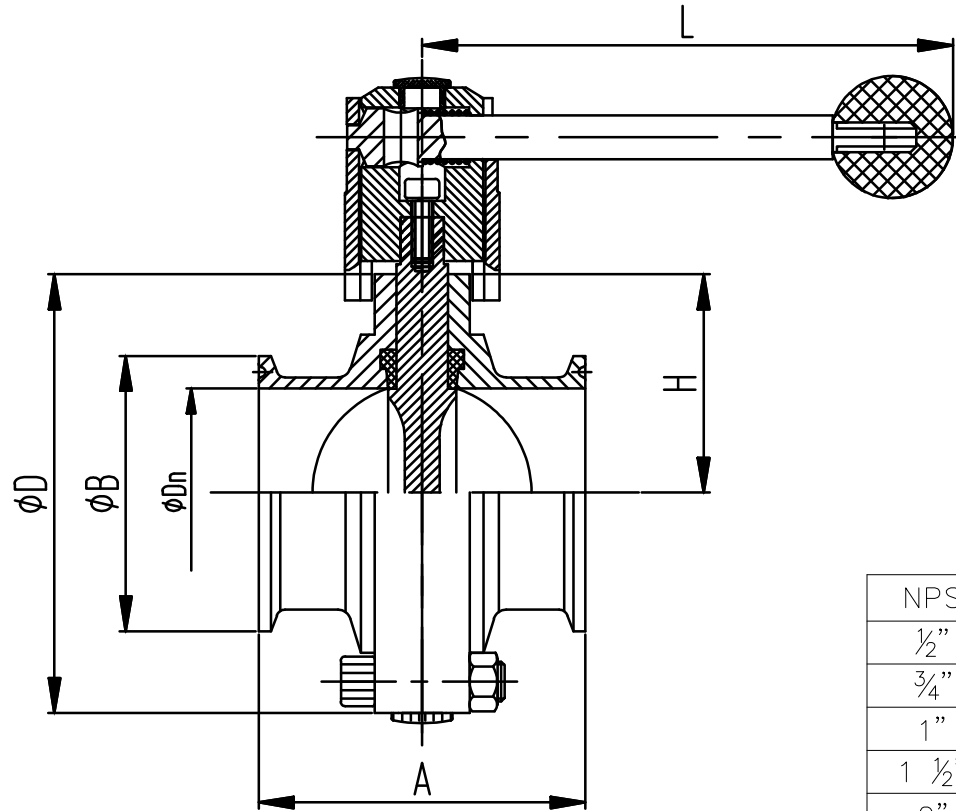


D81X-10P/RL-00



Nominal pressure		PN10					
Test pressure	Shell test	1.5	MPa	test medium	water	Test temperature	normal temperature
	seal test	1.0			air		
	Gas seal test	0.6					
Applicable medium		water,oil,gas					
Applicable temperature		20~200°F					

NPS	D	B	A	H	Dn	L
1/2"	3.07	1.00	2.60	1.54	0.37	5.51
3/4"	3.07	1.00	2.60	1.54	0.62	5.51
1"	3.07	1.99	2.60	1.54	0.87	5.51
1 1/2"	3.39	1.99	2.76	1.69	1.37	5.51
2"	4.02	2.52	2.99	2.01	1.87	5.91
2 1/2"	4.53	3.05	3.15	2.26	2.37	6.23
3"	5.04	3.58	3.31	2.52	2.87	6.23
4"	6.06	4.69	4.09	3.03	3.83	7.09

				ANIX[®]	ANIX VALVE	
					Quick-install Butterfly valve	
MARK	BEFORE MODIFIED	AFTER MODIFIED	DATE			
DRA.		APP.				
CHK.		DATE				
				SCALE		
				D81X-10P/RL-00		