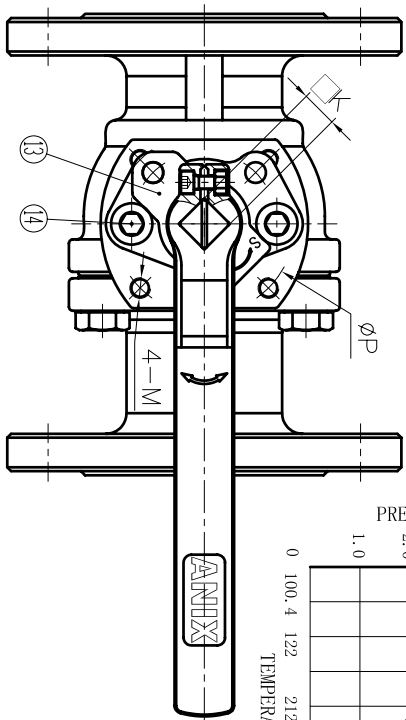
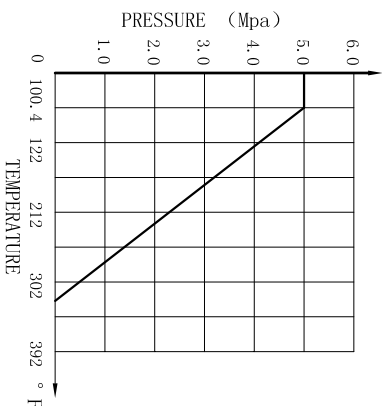
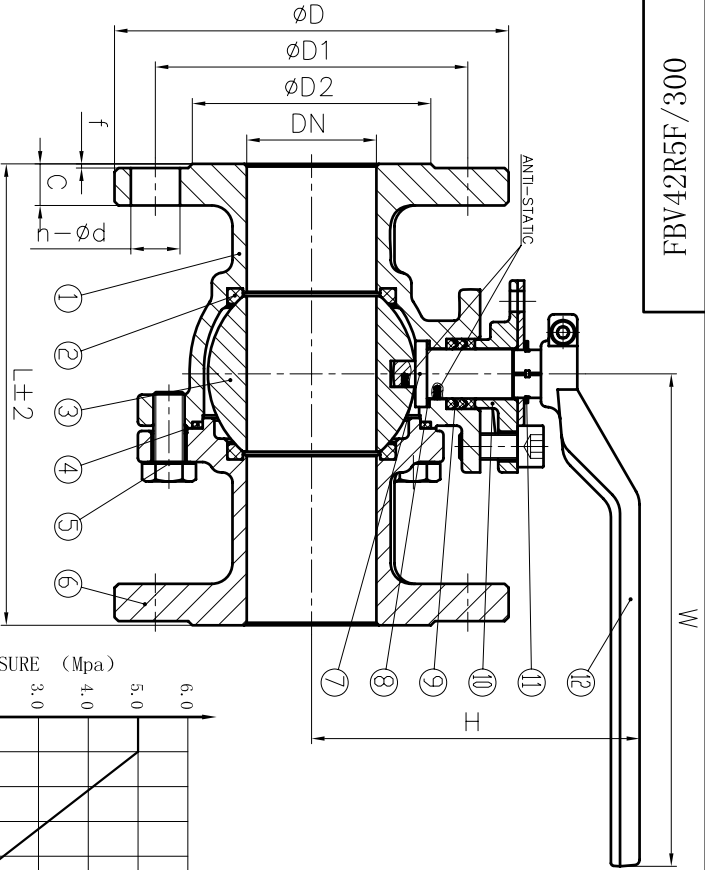


00C/FBVR2FVAF



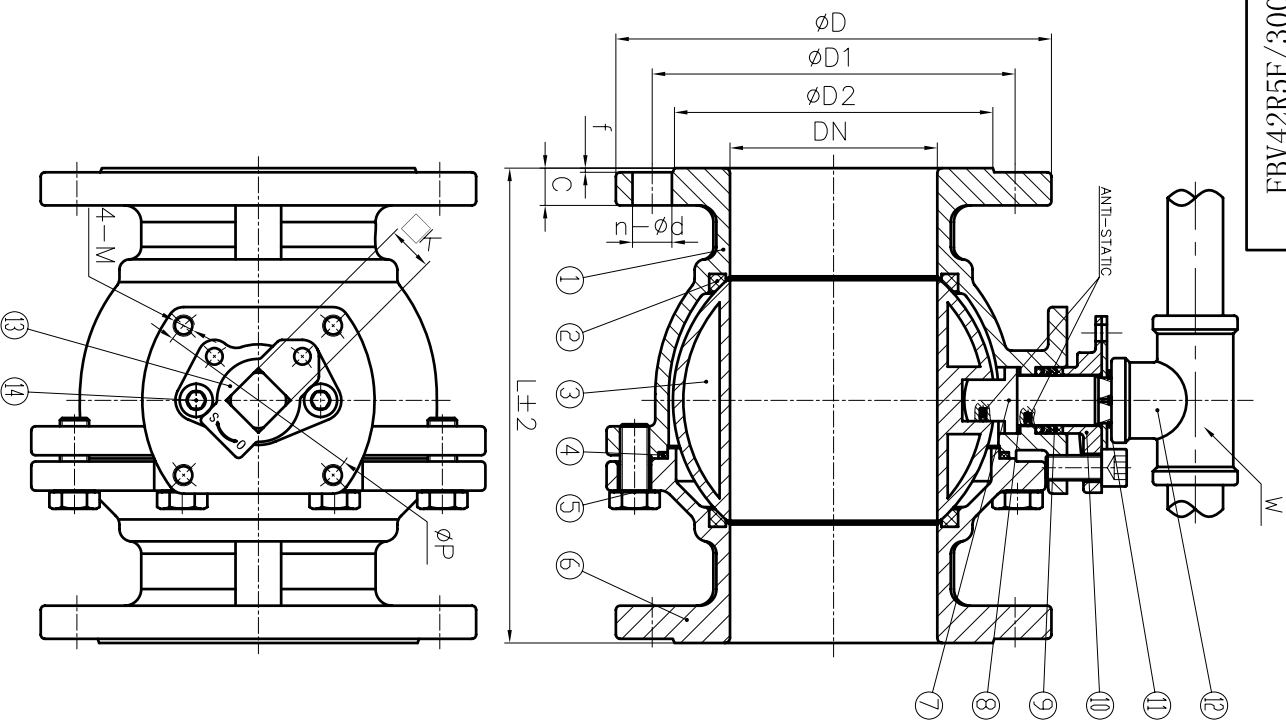
Nominal pressure 300LB

Test pressure	Shell test	7.5	test medium	water	Test temperature	normal temperature
	seal test	5.5		air		normal temperature
Applicable medium	Gas seal test	0.6	water, oil, gas			
	Applicable temperature -20~356°F					

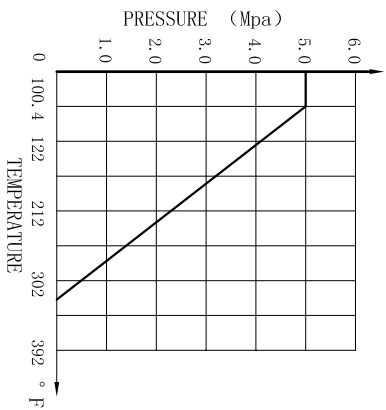
NPS	L	D	D1	D2	C	f	n-Ød	W	H	K	P	M	Weight (lb)
1/2"	5.512	3.740	2.626	1.374	0.591	0.063	4-Ø0.63	5.118	3.268	0.354	1.654	MO.197	4.409
3/4"	5.984	4.528	3.252	1.689	0.630	0.063	4-Ø0.748	5.118	3.504	0.354	1.654	MO.197	7.165
1"	6.496	4.921	3.500	2.000	0.709	0.063	4-Ø0.748	6.299	3.661	0.433	1.969	MO.236	8.818
1 1/4"	7.008	5.315	3.874	2.500	0.748	0.063	4-Ø0.748	6.299	3.819	0.433	1.969	MO.236	13.228
1 1/2"	7.480	6.102	4.500	2.874	0.827	0.063	4-Ø0.866	7.874	4.685	0.551	2.756	MO.315	17.637
2"	8.504	6.496	5.000	3.626	0.906	0.063	8-Ø0.748	7.874	5.000	0.551	2.756	MO.315	24.251
2 1/2"	9.488	7.480	5.874	4.126	1.024	0.063	8-Ø0.866	9.449	5.433	0.551	2.756	MO.315	33.069
3"	11.102	8.268	6.626	5.000	1.142	0.063	8-Ø0.866	10.630	6.614	0.669	4.016	MO.394	47.399
4"	12.008	10.039	7.874	6.189	1.260	0.063	8-Ø0.866	12.598	7.480	0.669	4.016	MO.394	74.957

14	HEXAGON HEAD BOLT	2	A193 B8
13	STOPPER	1	SS304
12	HANDLE	1	STAINLESS STEEL
11	SNAP RING	1	SS304
10	GLAND	1	A351 CF8
9	PACKING	-	RPTFE
8	STEM WASHER	1	RPTFE
7	STEM	1	A276 316
6	BONNET	1	A216 WCB
5	BOLT	-	A193 B8
4	GASKET	1	RPTFE
3	BALL	1	SS316
2	SEAT	2	RPTFE
1	BODY	1	A216 WCB
NO.	DESCRIPTION	QTY	MATERIAL
MARK		BEFORE MODIFIED	AFTER MODIFIED
DRA.		APP.	DATE
CHK.		DATE	SCALE
ANIX VALVE CO., LTD			Flange Ball Valve
300LB, WCB, Fire Safe			FBV42R5F/300

NOTE:
 1. Design and Manufacture for valve according to ANSI B16.34-2009.
 2. Face-to-face dimensions for valve according to ASME B16.10-2009.
 3. End flange dimensions for valve according to ASME B16.5-2009.
 4. Inspection and Test for valve according to API 598-2009.



- NOTE:
1. Design and Manufacture for valve according to ANSI B16.34-2009.
 2. Face-to-face dimensions for valve according to ASME B16.10-2009.
 3. End flange dimensions for valve according to ASME B16.5-2009.
 4. Inspection and Test for valve according to API 598-2009.



Nominal pressure		300LB	
Test pressure	Shell test	7.5	test medium
	Gas seal test	5.5	
Applicable medium	Gas seal test	0.6	water, oil, gas
	temperature		-20~356°F

NPS	L	D	D1	D2	C	f	n-Ød	W	K	P	M	Weight (lb)
5"	15.000	11.024	9.252	7.311	1.378	0.063	8-Ø0.866	21.654	0.827	4.016	M0.394	-
6"	15.866	12.598	10.626	8.500	1.457	0.063	12-Ø0.866	25.591	0.827	4.921	M0.472	-
8"	19.764	14.961	13.000	10.626	1.654	0.063	12-Ø0.984	31.496	1.063	5.512	M0.630	-
14	HEXAGON HEAD BOLT		2	A193 B8								
13	STOPPER		1	SS304								
12	HANDLE		1	STAINLESS STEEL								
11	SNAP RING		1	SS304								
10	GLAND		1	A351 CF8								
9	PACKING		-	RPPTFE								
8	STEM WASHER		1	RPPTFE								
7	STEM		1	A276 316								
6	BONNET		1	A216 WCB								
5	BOLT		-	A193 B8								
4	GASKET		1	RPPTFE								
3	BALL		1	SS316								
2	SEAT		2	RPPTFE								
1	BODY		1	A216 WCB								
NO.	DESCRIPTION		Q" TY	MATERIAL								
				ANIX VALVE CO., LTD								
				Flange Ball Valve								
				300LB, WCB, Fire Safe								
				FBV42R5F/300								

ANIX®

ANIX VALVE CO., LTD
 Flange Ball Valve
 300LB, WCB, Fire Safe
 FBV42R5F/300