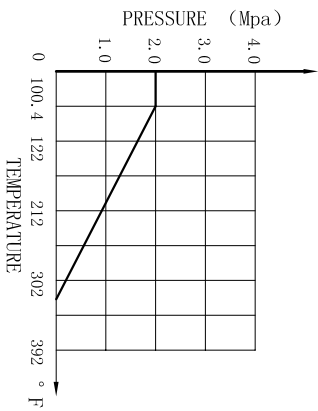
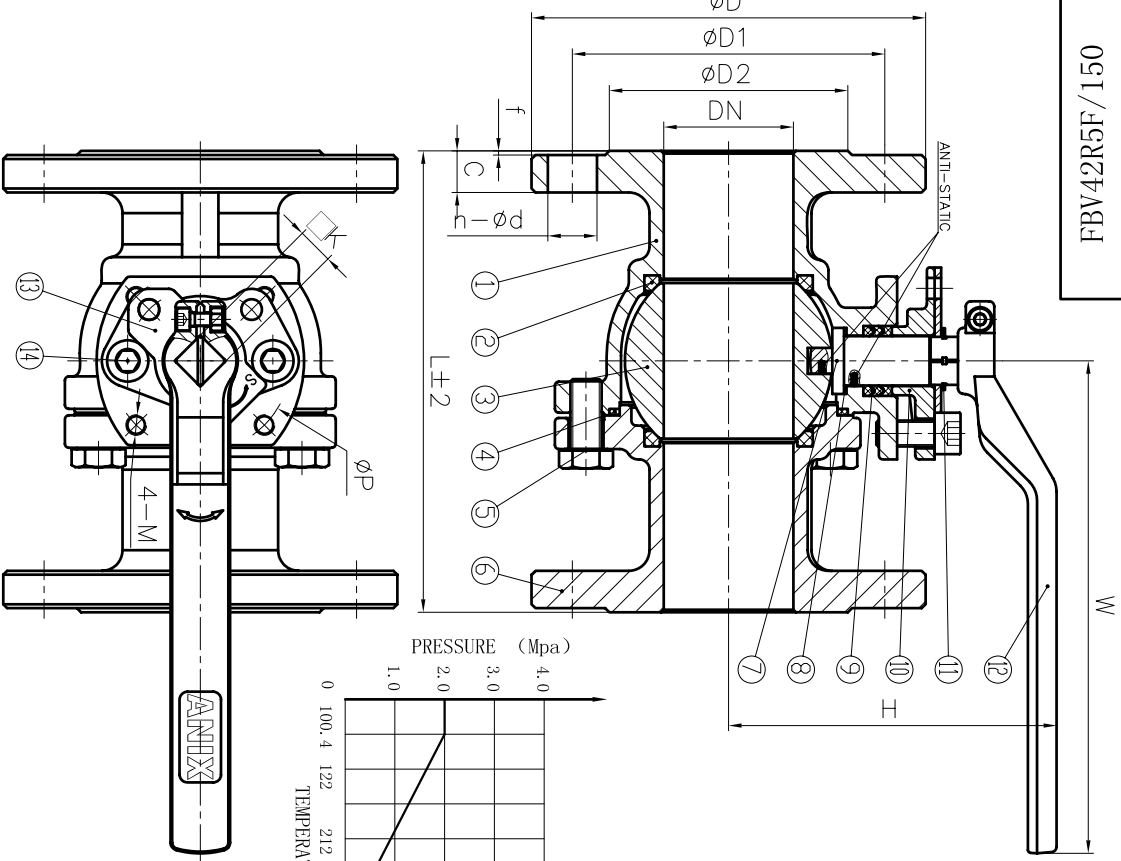


051/F5R2F/150

FBV42R5F



NPS	L	D	D1	D2	C	f	n-φd	W	H	K	P	M	Weight (Lb)
1/2"	4.252	3.543	2.374	1.374	0.394	0.063	4-φ0.63	5.118	3.189	0.354	1.654	MO.197	4.034
3/4"	4.606	3.937	2.752	1.689	0.433	0.063	4-φ0.63	5.118	3.307	0.354	1.654	MO.197	5.071
1"	5.000	4.331	3.126	2.000	0.472	0.063	4-φ0.63	6.299	3.583	0.433	1.969	MO.236	6.371
1 1/4"	5.512	4.528	3.500	2.500	0.512	0.063	4-φ0.63	6.299	3.740	0.433	1.969	MO.236	9.127
1 1/2"	6.496	4.921	3.874	2.874	0.591	0.063	4-φ0.63	7.874	4.646	0.551	2.756	MO.315	11.949
2"	7.008	5.906	4.752	3.626	0.630	0.063	4-φ0.748	7.874	4.961	0.551	2.756	MO.315	16.248
2 1/2"	7.480	7.087	5.500	4.126	0.709	0.063	4-φ0.748	9.449	5.394	0.551	2.756	MO.315	25.794
3"	7.992	7.480	6.000	5.000	0.748	0.063	4-φ0.748	10.630	6.378	0.669	4.016	MO.394	31.967
4"	9.016	9.055	7.500	6.189	0.945	0.063	8-φ0.748	12.598	7.402	0.669	4.016	MO.394	51.809

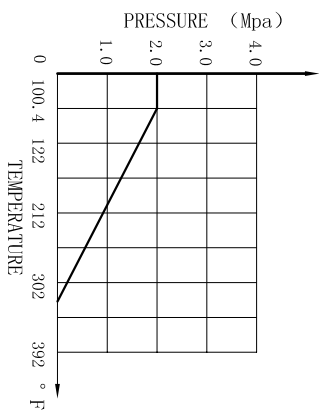
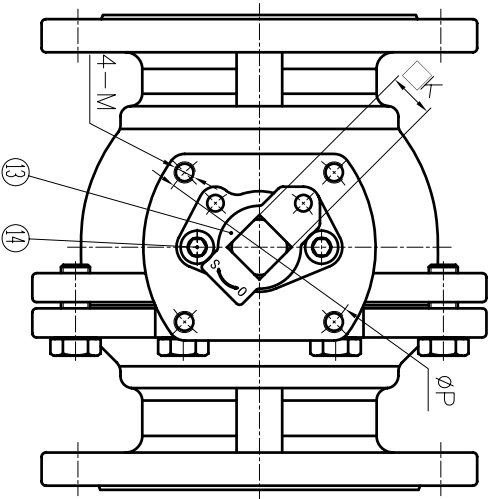
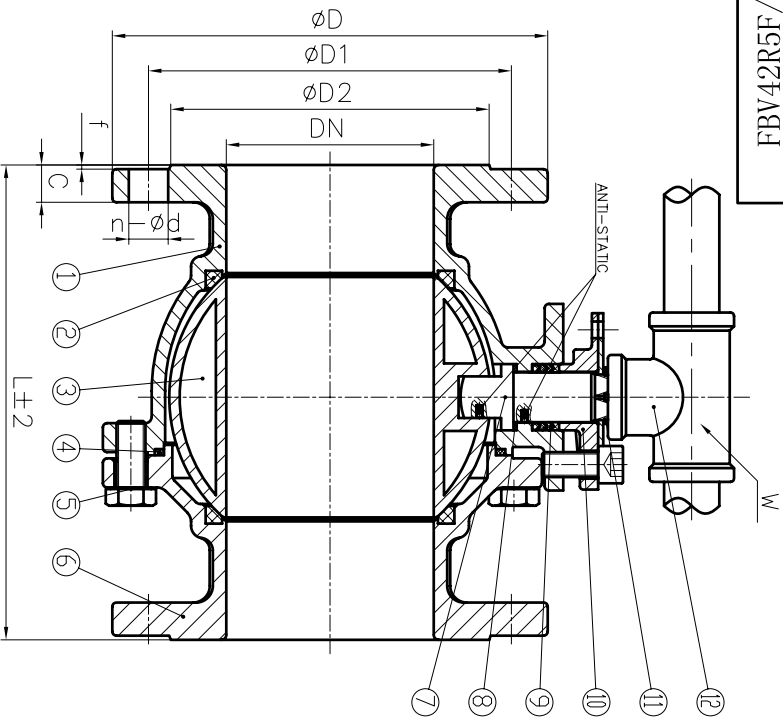
Nominal pressure	150LB			
Test pressure	Shell test	3.0		
	seal test	2.2		
	Gas seal test	0.6		
Applicable medium	water, oil, gas		Test temperature	normal temperature

Applicable temperature	-20~356°F			
	water, oil, gas			

NOTE:  
 1. Design and Manufacture for valve according to ANSI B16.34-2009.  
 2. Face-to-face dimensions for valve according to ASME B16.10-2009.  
 3. End flange dimensions for valve according to ASME B16.5-2009.  
 4. Inspection and Test for valve according to API 598-2009.

NO.	DESCRIPTION	QTY	MATERIAL
1	BODY	1	A216 WCB
2	SEAT	2	RPPTFE
3	BALL	1	SS316
4	GASKET	1	RPPTFE
5	BOLT	-	A193 B8
6	BONNET	1	A216 WCB
7	STEM	1	A276 316
8	STEM WASHER	1	RPPTFE
9	PACKING	-	RPPTFE
10	GLAND	1	A351 CF8
11	SNAP RING	1	SS304
12	HANDLE	1	STAINLESS STEEL
13	STOPPER	1	SS304
14	HEXAGON HEAD BOLT	2	A193 B8

MARK	BEFORE MODIFIED	AFTER MODIFIED	DATE	SCALE
DRAW.		APP.		
CHK.		DATE		
<b>ANIX®</b>				
ANIX VALVE CO., LTD				
Flange Ball Valve				
150LB, WCB, Fire Safe				
FBV42R5F/150				



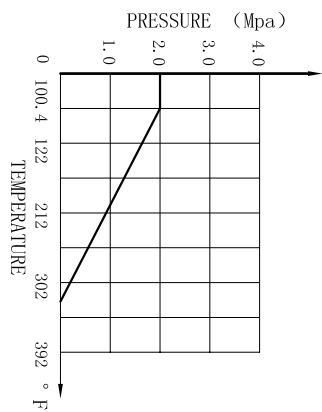
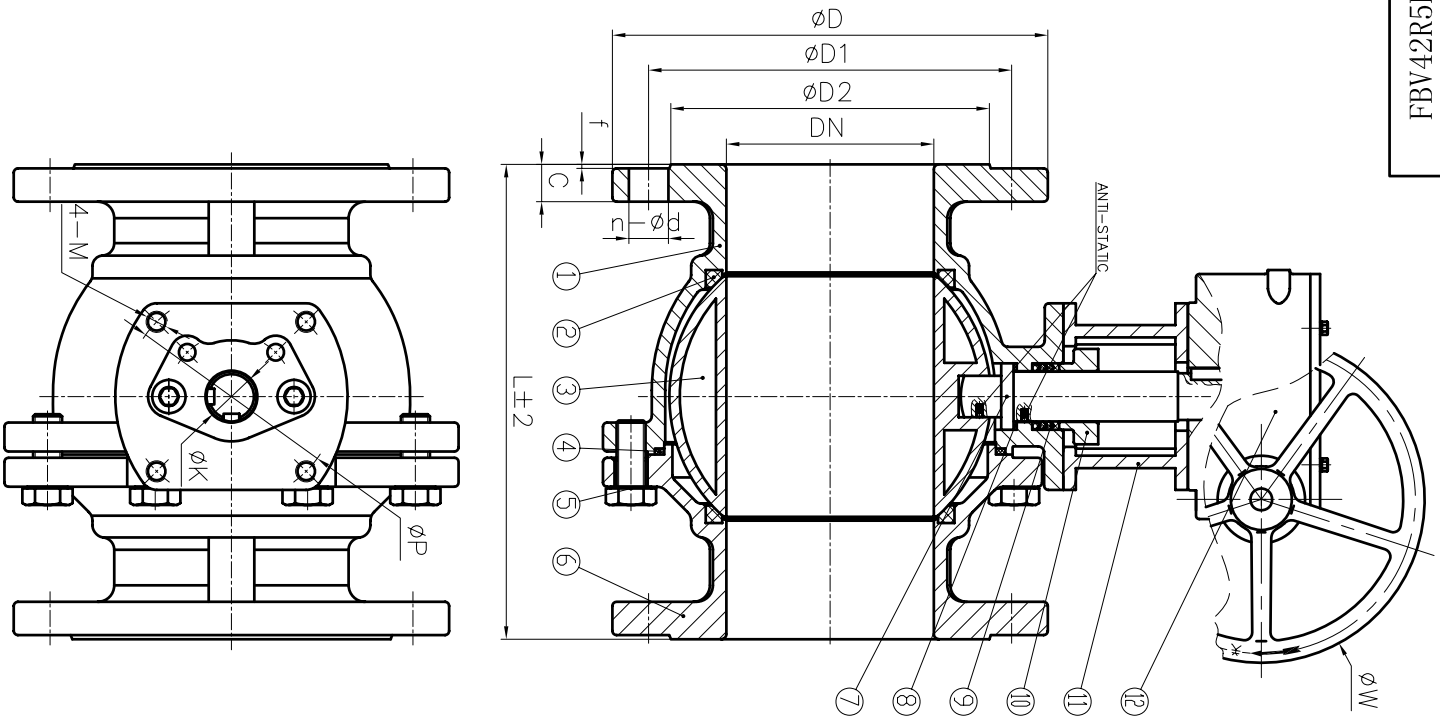
Nominal pressure		150LB	
Test pressure	Shell test	3.0	Mpa
	Gas seal test	2.2	
Test medium	water	air	Test temperature
	water, oil, gas		
Applicable temperature		-20~356°F	

NPS	L	D	D1	D2	C	f	n-ød	W	K	P	M	Weight (lb)
5"	14.016	10.039	8.500	7.311	0.945	0.063	8-ø0.866	21.654	0.827	4.016	MO.394	69.997
6"	15.512	11.024	9.500	8.500	1.024	0.063	8-ø0.866	25.591	0.827	4.921	MO.472	109.129
8"	17.992	13.583	11.752	10.626	1.142	0.063	8-ø0.866	31.496	1.063	4.921	MO.472	176.370

14	HEXAGON HEAD BOLT	2	A193 B8
13	STOPPER	1	SS304
12	HANDLE	1	STAINLESS STEEL
11	SNAP RING	1	SS304
10	GLAND	1	A351 CF8
9	PACKING	-	RPTFE
8	STEM WASHER	1	RPTFE
7	STEM	1	A276 316
6	BONNET	1	A216 WCB
5	BOLT	-	A193 B8
4	GASKET	1	RPTFE
3	BALL	1	SS316
2	SEAT	2	RPTFE
1	BODY	1	A216 WCB

NO.	DESCRIPTION	QTY	MATERIAL
<b>ANIX®</b>			
ANIX VALVE CO., LTD			
Flange Ball Valve			
150LB, WCB, Fire Safe			
FBV42R5F/150			

- NOTE:
1. Design and Manufacture for valve according to ANSI B16.34-2009.
  2. Face-to-face dimensions for valve according to ASME B16.10-2009.
  3. End flange dimensions for valve according to ASME B16.5-2009.
  4. Inspection and Test for valve according to API 598-2009.



- NOTE:
1. Design and Manufacture for valve according to ANSI B16.34-2009.
  2. Face-to-Face dimensions for valve according to ASME B16.10-2009.
  3. End Flange dimensions for valve according to ASME B16.5-2009.
  4. Inspection and Test for valve according to API 598-2009.

Nominal pressure		150LB	
Test pressure	Shell test	3.0	test medium
	seal test	2.2	
Gas seal test	Gas seal	0.6	water
	test		air
Applicable medium	water, oil, gas		
Applicable temperature	-20~356 °F		

NPS	L	D	D1	D2	C	f	n- $\phi$ d	W	K	P	M	Weight (lb)
10"	20.984	15.945	14.252	12.748	1.220	0.063	12- $\phi$ 0.984	15.748	1.772	5.512	M0.630	352.740
WORM GEAR ACTUATOR												
12	1											
11	1											
10	1											
9	-											
8	1											
7	1											
6	1											
5	-											
4	1											
3	1											
2	2											
1	1											

NO.	DESCRIPTION	Q'TY	MATERIAL
12	WORM GEAR ACTUATOR	1	/
11	YOKE	1	A351 CF8
10	GLAND	1	A351 CF8
9	PACKING	-	RPTFE
8	STEM WASHER	1	RPTFE
7	STEM	1	A276 316
6	BONNET	1	A216 WCB
5	BOLT	-	A193 B8
4	GASKET	1	RPTFE
3	BALL	1	SS316
2	SEAT	2	RPTFE
1	BODY	1	A216 WCB

MARK	BEFORE MODIFIED	AFTER MODIFIED	DATE
DRA.	APP.		
CHK.	DATE		

		SCALE
Flange Ball Valve		FBV42R5F/150
150LB, WCB, Fire Safe		