

## YS41H-Flanged Y-Strainer-Class 150

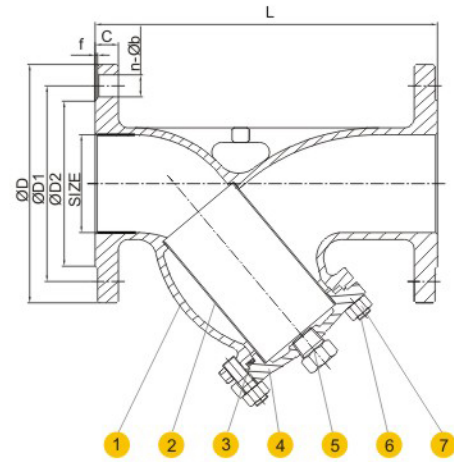


### GENERAL CHARACTERISTICS

- Optional Mesh: 20/40/60/80/100
- Design: ASME B16.34
- Test: API 598
- End Flange RF: ASME B16.5

### WORKING CONDITIONS

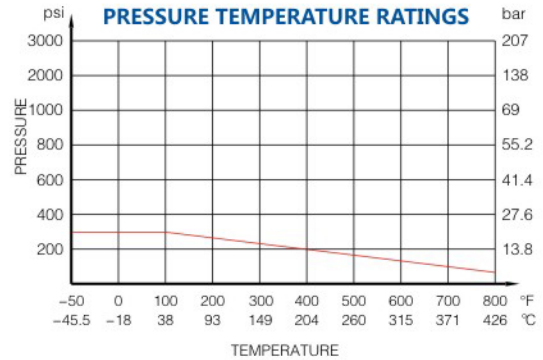
- Working Pressure: Class 150
- Temperature Range: -20° to 302°F
- Applicable medium: Water, Oil, Gas



### MATERIALS LIST

No.	DESCRIPTION	Q'TY	MATERIAL
7	NUT	-	A194 2H
6	STUD	-	A193 B7
5	PLUG	1	A351 CF8
4	BONNET	1	A216 WCB
3	GASKET	1	SS304+Graphite
2	SCREEN MESH	1	SS304
1	BODY	1	A216 WCB

Note: Please contact us for other material requirements.



### DIMENSIONS- Class 150

SIZE	L	D	D1	D2	C	f	n-Øb	MESH	Weight(lb)
1/2"	5.12	3.54	2.37	1.37	0.39	0.06	4-Ø0.63	40	5.51
3/4"	5.51	3.94	2.75	1.7	0.43	0.06	4-Ø0.63	40	6.61
1"	5.91	4.33	3.13	2	0.47	0.06	4-Ø0.63	40	7.72
1 1/4"	6.69	4.53	3.5	2.5	0.51	0.06	4-Ø0.63	40	11.02
1 1/2"	7.87	4.92	3.87	2.87	0.59	0.06	4-Ø0.63	40	14.33
2"	8.66	5.91	4.75	3.63	0.63	0.06	4-Ø0.75	40	16.54
2 1/2"	9.92	7.09	5.5	4.13	0.71	0.06	4-Ø0.75	40	25.35
3"	11.02	7.48	6	5	0.75	0.06	4-Ø0.75	40	29.76
4"	12.6	9.06	7.5	6.19	0.95	0.06	8-Ø0.75	40	47.4
5"	13.78	10.04	8.5	7.31	0.95	0.06	8-Ø0.87	40	46.22
6"	15.75	11.02	9.5	8.5	1.02	0.06	8-Ø0.87	40	68.34
8"	19.09	13.58	11.75	10.63	1.14	0.06	8-Ø0.87	40	141.1