

## GL11W-Threaded Globe Valve-200Psi



### GENERAL CHARACTERISTICS

- Full bore
- Design:ASME B16.34
- Test:API 598
- End Connections:Threaded End
- Threaded Type:  
ANSI B1.20.1(NPT)  
ISO 7/1(BSPT,BSP)

### WORKING CONDITIONS

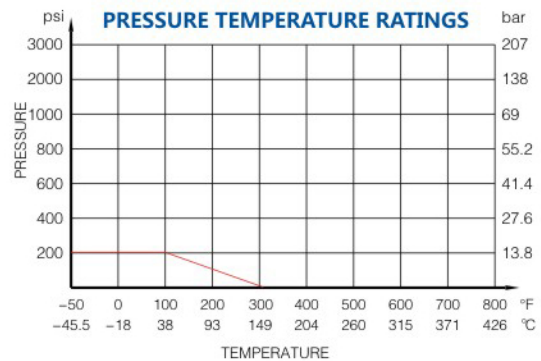
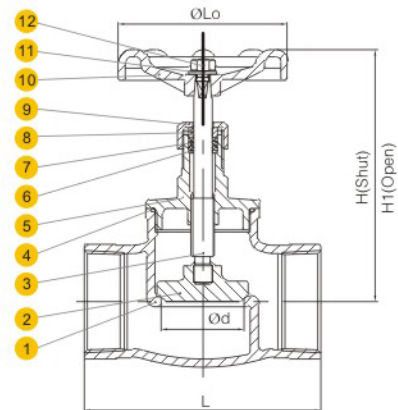
- Working Pressure:200Psi
- Temperature Range:-20° to 302°F
- Applicable medium:Water,Oil,Gas



### MATERIALS LIST

12	NUT	1	A194 8
11	SPRING WASHER	1	304
10	HANDWHEEL	1	ZL101
9	BONNET NUT	1	A351 CF8
8	GLAND	1	304
7	PACKING	1	PTFE
6	WASHER	1	A240 316
5	BONNET	1	A351 CF8M
4	GASKET	1	PTFE
3	STEM	1	A276 316
2	DISC	1	A351 CF8M
1	BODY	1	A351 CF8M
No.	DESCRIPTION	Q'TY	MATERIAL

Note:Please contact us for other material requirements.



### DIMENSIONS-200Psi

SIZE	L	d	Lo	H	H1	Weight(lb)
1/2"	2.56	0.55	2.76	3.39	3.7	0.73
3/4"	2.95	0.79	2.76	3.62	3.94	1.04
1"	3.54	0.95	3.15	4.06	4.61	1.46
1 1/4"	4.13	1.22	3.94	4.8	5.43	2.36
1 1/2"	4.72	1.5	3.94	5.12	5.83	3.53
2"	5.51	1.93	3.94	5.91	6.89	4.63
2 1/2"	5.98	2.36	4.72	7.87	9.02	-
3"	6.89	2.95	5.51	8.74	10.08	-