

## BV63-Socket Welding Ball Valve-1000Psi



### GENERAL CHARACTERISTICS

- Full bore
- Blow-out-proof stem design
- Padlocking device
- Design:ASME B16.34
- Test:API 598
- End Connections:  
Socket welding End

### WORKING CONDITIONS

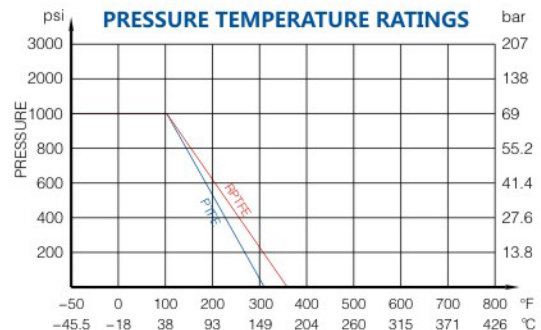
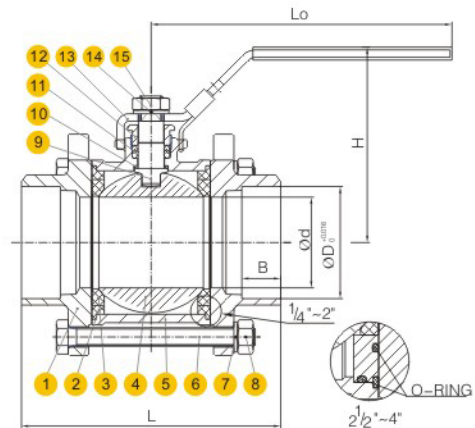
- Working Pressure:1000Psi
- Temperature Range:  
-20° to 302°F-PTFE  
-20° to 356°F-RPTFE
- Applicable medium:Water,Oil,Gas



### MATERIALS LIST

15	NUT	1	A194 8	A194 8
14	SPRING WASHER	1	304	304
13	HANDEL	1	Steel	Steel
12	GLAND	1	304	304
11	PACKING	1	PTFE	RPTFE
10	STEM WASHER	1	PTFE	RPTFE
9	STEM	1	A276 316	A276 316
8	NUT	-	A194 8	A194 8
7	SPRING WASHER	-	304	304
6	BOLT	-	A193 B8	A193 B8
5	BODY	1	A351 CF8M	A351 CF8M
4	BALL	1	SS316	SS316
3	SEAT	2	PTFE	RPTFE
2	GASKET	2	PTFE	RPTFE
1	BONNET	2	A351 CF8M	A351 CF8M
No.	DESCRIPTION	Q'TY	MATERIAL	

Note:Please contact us for other material requirements.



### DIMENSIONS-1000Psi

SIZE	L	d	D	B	Lo	H	Weight(lb)	Torque(lbf · in)
3/8"	2.56	0.45	0.69	0.37	3.74	1.91	0.79	31
1/2"	2.95	0.59	0.86	0.37	4.13	2.13	1.1	44
3/4"	3.15	0.77	1.07	0.49	4.72	2.58	1.46	62
1"	3.54	0.98	1.34	0.49	5.51	2.84	1.93	88
1 1/4"	4.33	1.26	1.68	0.49	5.91	3.19	3.8	133
1 1/2"	4.73	1.5	1.92	0.49	6.69	3.78	4.99	195
2"	5.51	1.93	2.41	0.63	7.28	4.13	6.52	265
2 1/2"	6.3	2.52	2.91	0.63	8.66	4.72	12.24	460
3"	7.09	3.03	3.54	0.63	10.62	5.3	17.94	761
4"	8.46	3.9	4.54	0.75	12.4	6.18	28.59	1097