

## BV12-Threaded Ball Valve-2000Psi



### GENERAL CHARACTERISTICS

- Full bore
- Blow-out-proof stem design
- Padlocking device
- Design:ASME B16.34
- Test:API 598
- End Connections:Threaded End
- Threaded Type:  
ANSI B1.20.1(NPT)  
ISO 7/1(BSPT,BSP)

### WORKING CONDITIONS

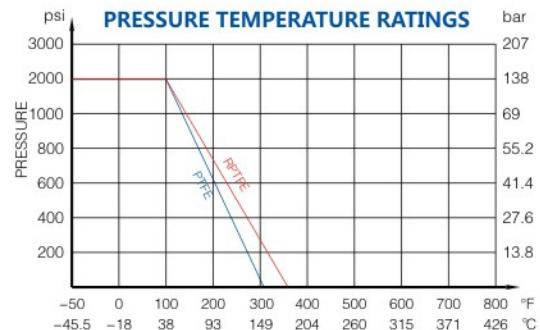
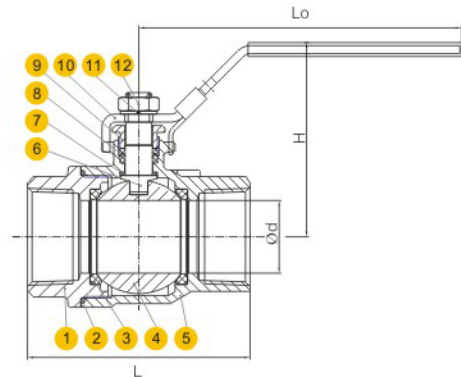
- Working Pressure:2000Psi
- Temperature Range:  
-20° to 302°F-PTFE  
-20° to 356°F-RPTFE
- Applicable medium:Water,Oil,Gas



### MATERIALS LIST

No.	DESCRIPTION	Q'TY	MATERIAL	
12	NUT	1	A194 8	A194 8
11	SPRING WASHER	1	304	304
10	HANDEL	1	Steel	Steel
9	GLAND	1	304	304
8	PACKING	1	PTFE	RPTFE
7	STEM WASHER	1	PTFE	RPTFE
6	STEM	1	A276 316	A276 316
5	BODY	1	A351 CF8M	A351 CF8M
4	BALL	1	SS316	SS316
3	SEAT	2	PTFE	RPTFE
2	GASKET	1	PTFE	RPTFE
1	BONNET	1	A351 CF8M	A351 CF8M
No.	DESCRIPTION	Q'TY	MATERIAL	

Note:Please contact us for other material requirements.



### DIMENSIONS-2000Psi

SIZE	L	d	Lo	H	Weight(lb)	Torque(lbf · in)
1/4"	2.21	0.43	3.74	1.91	0.52	49
3/8"	2.21	0.45	3.74	1.91	0.47	49
1/2"	2.48	0.59	4.13	2.13	0.66	71
3/4"	2.87	0.77	4.72	2.58	1.05	97
1"	3.31	0.98	5.51	2.84	1.6	142
1 1/4"	3.86	1.26	5.91	3.19	2.51	212
1 1/2"	4.15	1.5	6.69	3.78	3.52	310
2"	4.74	1.93	7.28	4.13	5.08	425