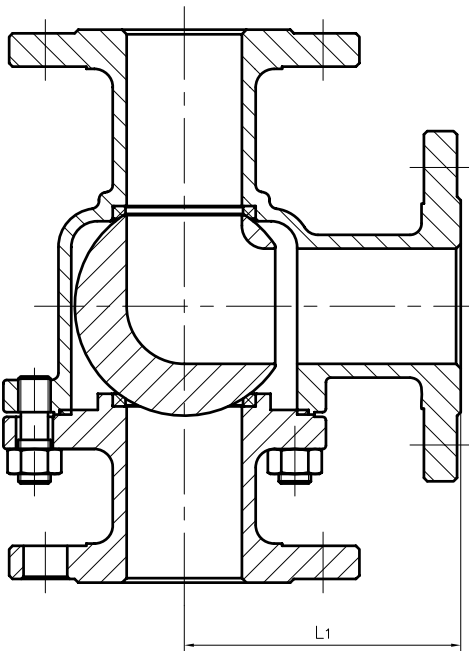
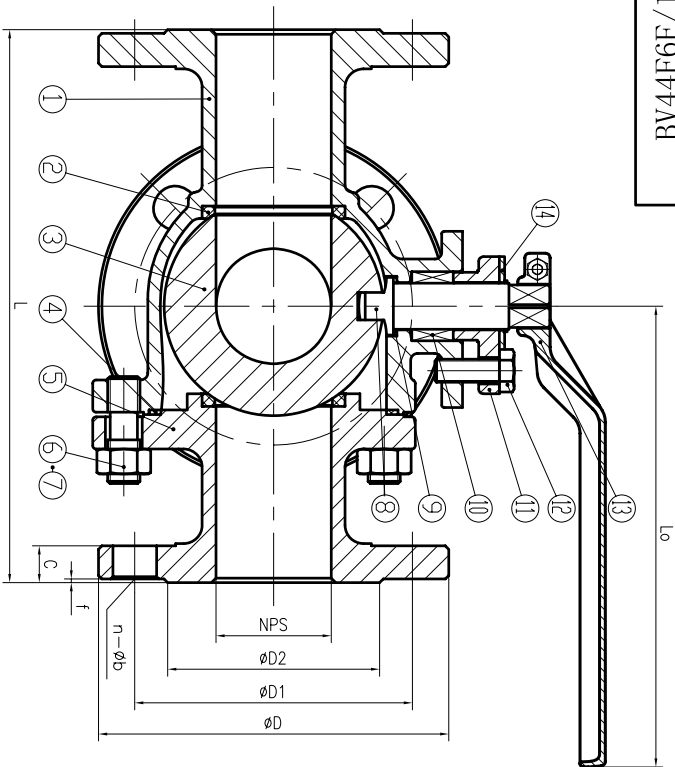


051/J9JF74VB



NPS	L	L1	D	D1	D2	C	f	n-Øb	L0	Weight (lb)
1/2"	5.906	2.953	3.543	2.374	1.374	0.394	0.063	4-Ø0.630	5.118	
3/4"	6.299	3.150	3.937	2.740	1.690	0.433	0.063	4-Ø0.630	5.118	
1"	7.089	3.543	4.331	3.126	2.000	0.472	0.063	4-Ø0.630	5.906	
1 1/4"	7.874	3.937	4.528	3.500	2.500	0.512	0.063	4-Ø0.630	5.906	
1 1/2"	8.661	4.331	4.921	3.874	2.874	0.591	0.063	4-Ø0.630	8.268	
2"	9.445	4.724	5.906	4.752	3.626	0.630	0.063	4-Ø0.748	8.268	
2 1/2"	10.236	5.118	7.087	5.500	4.126	0.709	0.063	4-Ø0.748	9.445	
3"	11.024	5.512	7.480	6.000	5.000	0.748	0.063	4-Ø0.749	10.630	

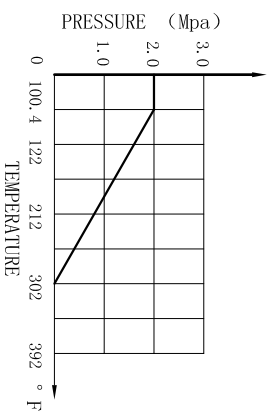
NOTE:

1. Design and Manufacture for valve according to ANSI B16.34-2009.
2. Face-to-face dimensions for valve according to ASME B16.10-2009.
3. End flange dimensions for valve according to ASME B16.5-2009.
4. Inspection and Test for valve according to API 598-2009.

14	STOPPER	1	SS304
13	HANDLE	1	STAINLESS STEEL
12	HEXAGON HEAD BOLT	2	A193 B8M
11	GLAND	1	A351 CF8
10	PACKING	-	PTFE
9	STEM WASHER	1	PTFE
8	STEM	1	A276 316
7	NUT	-	A194 8M
6	BOLT	-	A193 B8M
5	BONNET	1	A351 CF8M
4	GASKET	1	PTFE
3	BALL	1	SS316
2	SEAT	2	PTFE
1	BODY	1	A351 CF8M

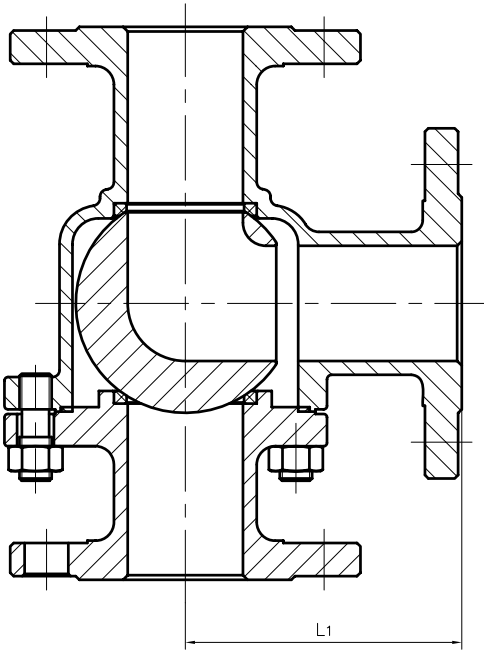
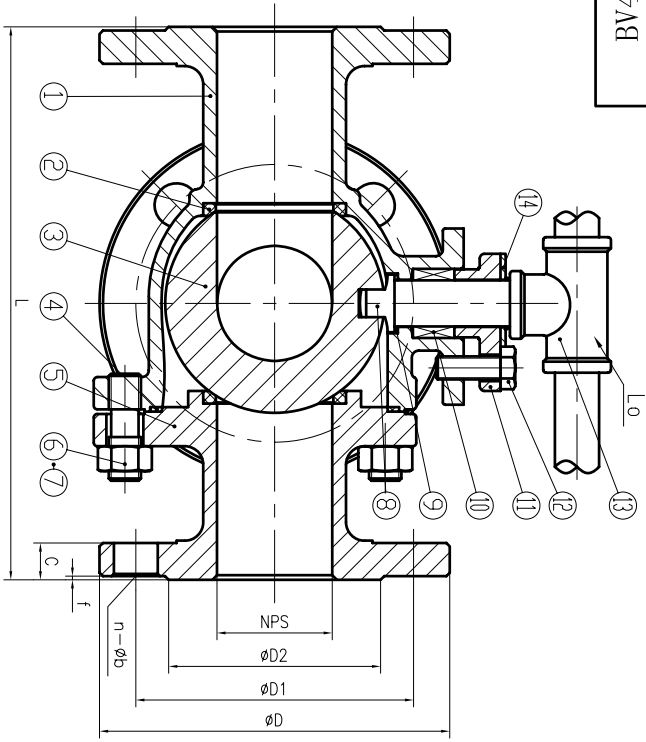
NO.	DESCRIPTION	Q'TY	MATERIAL
-----	-------------	------	----------

Nominal pressure		150LB	
Shell test	3.0	Test medium	water
Test pressure	2.2	Test temperature	normal temperature
Gas seal test	0.6	Test medium	air
Gas seal test	0.6	Test temperature	normal temperature
Applicable medium	water,oil,gas		
Applicable temperature	-20-302°F		



MARK		BEFORE MODIFIED		AFTER MODIFIED		DATE		SCALE	
DRW.		APP.							
CHK.		DATE							
ANIX®				ANIX VALVE CO., LTD					
				3 Way L Port Ball Valve 150LB					
				BV44F6F/150					

051/J9JF74V



NPS	L	L1	D	D1	D2	C	f	n- ϕ b	Lo	Weight (lb)
4"	12.598	6.299	9.055	7.500	6.189	0.945	0.063	8- ϕ 0.748	19.685	
5"	15.457	7.480	10.039	8.500	7.311	0.945	0.063	8- ϕ 0.866	21.654	
6"	17.323	8.661	11.024	9.500	8.500	1.024	0.063	8- ϕ 0.866	25.591	
8"	21.654	10.827	13.583	11.752	10.626	1.142	0.063	8- ϕ 0.866	31.496	

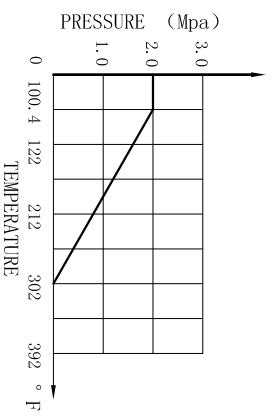
NOTE:
 1. Design and Manufacture for valve according to ANSI B16.34-2009.
 2. Face-to-face dimensions for valve according to ASME B16.10-2009.
 3. End flange dimensions for valve according to ASME B16.5-2009.
 4. Inspection and Test for valve according to API 598-2009.

14	STOPPER	1	SS304
13	HANDLE	1	STAINLESS STEEL
12	HEXAGON HEAD BOLT	2	A193 B8M
11	GLAND	1	A351 CF8
10	PACKING	-	PTFE
9	STEM WASHER	1	PTFE
8	STEM	1	A276 316
7	NUT	-	A194 8M
6	BOLT	-	A193 B8M
5	BONNET	1	A351 CF8M
4	GASKET	1	PTFE
3	BALL	1	SS316
2	SEAT	2	PTFE
1	BODY	1	A351 CF8M

Nominal pressure	150LB
------------------	-------

Shell test	3.0	Test medium	water	Test temperature	normal temperature
Pressure seal test	2.2	Test medium	air	Test temperature	normal temperature
Gas seal test	0.6	Test medium	air	Test temperature	normal temperature

Applicable medium	water, oil, gas
Applicable temperature	-20-302°F



NO.	DESCRIPTION	Q'TY	MATERIAL
ANIX VALVE CO., LTD			
3 Way L Port Ball Valve 150LB			
BV44F6F/150			
MARK	BEFORE MODIFIED	AFTER MODIFIED	DATE
DRG.		APP.	
CHK.		DATE	
			SCALE